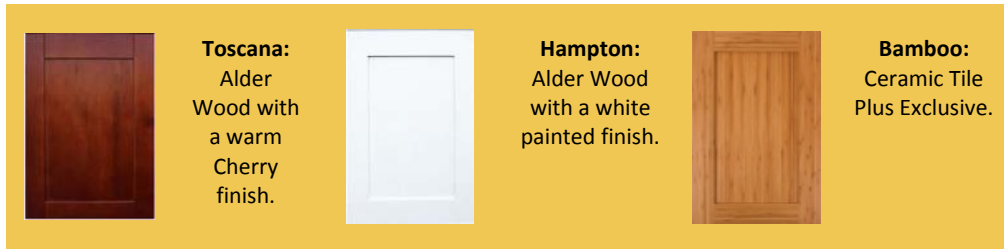




In-Stock Cabinet Guide

(Please contact store for pricing and availability.)

Our in-stock cabinets are currently available in three different colors:



All our cabinets are solid wood construction with CARB Phase II certified plywood boxes and shaker style doors.
(MDF center paneling used on Hampton doors.)

Cabinet doors come with 6-way adjustable, concealed, 110 degree soft closing hinges.
Drawer boxes are connected with tight dovetail joints and equipped with under mounted, full extension, soft closing slides.






We pride ourselves in that our cabinets are finished with formaldehyde free, high performance finish conversion varnish that is hard, heat resistant, and chemical resistant. This finish is more durable and has higher elasticity, allowing it to hold up better through wood joint expansion. All cabinets and trim pieces are treated for termites at the factory, and again locally upon arrival.

(Please see Termite Treatment and Protection flyer for more information.)


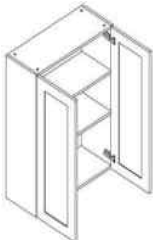



*Note: All cabinets come unassembled or we can assemble them for you.




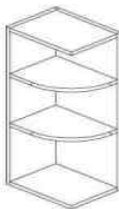

WALL CABINETS


(WIDTH x HEIGHT x DEPTH)

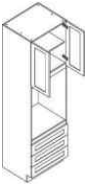
12" DOUBLE DOOR	15" DOUBLE DOOR	18" DOUBLE DOOR	21" DOUBLE DOOR	24" DOUBLE DOOR
				
30"X12"X12" W3012	30"X15"X12" W3015	24"X18"X12" W2418	30"X21"X12" W3021	30"X24"X12" W3024
33"X12"X12" W3312	33"X15"X12" W3315	30"X18"X12" W3018		33"X24"X12" W3324
36"X12"X12" W3612	36"X15"X12" W3615	33"X18"X12" W3318		36"X24"X12" W3624
30"X12"X24" W301224	33"X15"X24" W331524	36"X18"X12" W3618		30"X24"X24" W302424
33"X12"X24" W331224	36"X15"X24" W361524			33"X24"X24" W332424
36"X12"X24" W361224				36"X24"X24" W362424

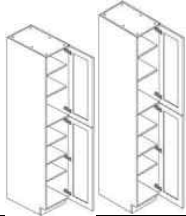
WALL CABINETS – (continued)

30" SINGLE DOOR	30" DOUBLE DOOR	42" SINGLE DOOR	42" DOUBLE DOOR	30" BLIND CORNER
				
6"X30"X12" W0630	24"X30"X12" W2430	9"X42"X12" W0942	24"X42"X12" W2442	30"X30"X12" WBC3030
9"X30"X12" W0930	27"X30"X12" W2730	12"X42"X12" W1242	27"X42"X12" W2742	
12"X30"X12" W1230	30"X30"X12" W3030	15"X42"X12" W1542	30"X42"X12" W3042	
15"X30"X12" W1530	33"X30"X12" W3330	18"X42"X12" W1842	33"X42"X12" W3342	
18"X30"X12" W1830	36"X30"X12" W3630	21"X42"X12" W2142	36"X42"X12" W3642	
21"X30"X12" W2130				

42" BLIND CORNER	12" DEEP ANGLED WALL	15" DEEP ANGLED WALL	WALL END OPEN SHELF	WALL DIAGONAL
				
30"X42"X12" WBC3042	24"X30"X12" AWC2430	24"X30"X15" AWC243015	9"X30"X12" WEOS930	12"X30"X12" WDC1230
	24"X36"X12" AWC2436	24"X36"X15" AWC243615	9"X42"X12" WEOS942	
	24"X42"X12" AWC2442	27"X42"X15" AWC274215	12"X42"X12" WEOS1242	


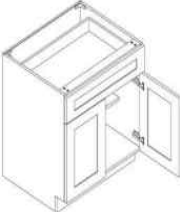



WALL EASY REACH

24"X30"X12" WEZR2430
24"X42"X12" WEZR2442


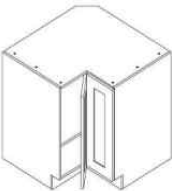
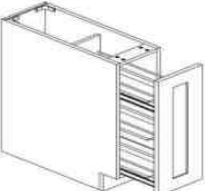
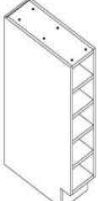
OVEN/MICROWAVE CABINET
30" WIDE X 24" DEEP ***Current model: 1 Drawer

NOTE: Appliance measurements needed. This item comes assembled.
OC3084
OC3096

UTILITY CABINET (WALL PANTRY) – 24" DEEP	
	
84" TALL	96" TALL
UC1284 – 2 DOORS	UC1896 – 2 DOORS
UC1584 – 2 DOORS	UC2496 – 4 DOORS
UC1884 – 2 DOORS	UC3096 – 4 DOORS
UC2484 – 4 DOORS	
UC3084 – 4 DOORS	
UC3684 – 4 DOORS	

BASE CABINETS





(34 1/2" TALL X 23 3/4" DEEP)

SINGLE DOOR (1 DRAWER)	DOUBLE DOOR (1 DRAWER)	DOUBLE DOOR (2 DRAWER)	DRAWER BASE	SINK BASE
				
B06	B24	B33	DB12-3	SB24
B09	B27	B36	DB15-3	SB27
B12	B30		DB18-3	SB30
B15			DB21-3	SB33
B18			DB24-3	SB36
B21			DB27-3	
			DB30-3	
			DB33-3	
			DB36-3	





BLIND CORNER	LAZY SUSAN	BASE PULL OUT	BASE WINE RACK
			
BCB39	LS33	BPO9	BWR6
BCB42	LS36		
BCB45	*includes carousel		

VANITY BASE CABINETS

(34 1/2" TALL X 21" DEEP)

VANITY BASE	VANITY SINK BASE	VANITY DRAWER BASE	VANITY KNEE DRAWER
			
VB12	VSB24	VDB12-3	VKD30
VB15	VSB27	VDB15-3	
VB18	VSB30	VDB18-3	
VB21	VSB33	VDB21-3	
VB24	VSB36	VDB24-3	

PANELS/MOLDINGS AND FILLERS

PANELS		
BEP	Base End Panel 34 1/2"H x 23 3/4"W x 3/4"D	
BDEP	Base Decorative End Panel 23 7/8"H x 29 7/8"W x 3/4"D	
WDP	Wall Decorative Panel 29 7/8"H x 11 7/8"W x 3/4"D	
REP2484	Refrigerator End Panel 24"H x 84"W x 3/4" D	
REP3696	Refrigerator End Panel 36"H x 96"W x 3/4"D	
FBP4896	Finish Back Panel 48"H x 96" W x 1/8"D	
TK96	Toe Kick 4 1/2"H x 96"W x 1/8"D	
MOLDINGS		
SM96	Scribe Molding 3/4 H x 96"W x 1/4 "D	
OCM96	Outside Corner Molding 3/4"H x 96"W x 1/4"D	
ACM96	Angled Crown Molding	
LMC8	Light Rail Molding	
FILLERS – 3/4" thick		
WF330	Wall Filler 3"W x 30"H	
WF630	Wall Filler 6"W x 30"H	
WF342	Wall Filler 3"W x 42"H	
WF642	Wall Filler 6"W x 42"H	
TF396	Tall Wall Filler 3"W x 96"H	
TF696	Tall Wall Filler 6"W x 96"H	



Contact Information

25 South Kahului Beach Road
Kahului, HI 96732
Office: (808)871-7595
Fax: (808)871-7059

Hours of Operation

Monday – Friday 7:00am-5:00pm
Saturday 9:00am-5:00pm
Closed Sunday